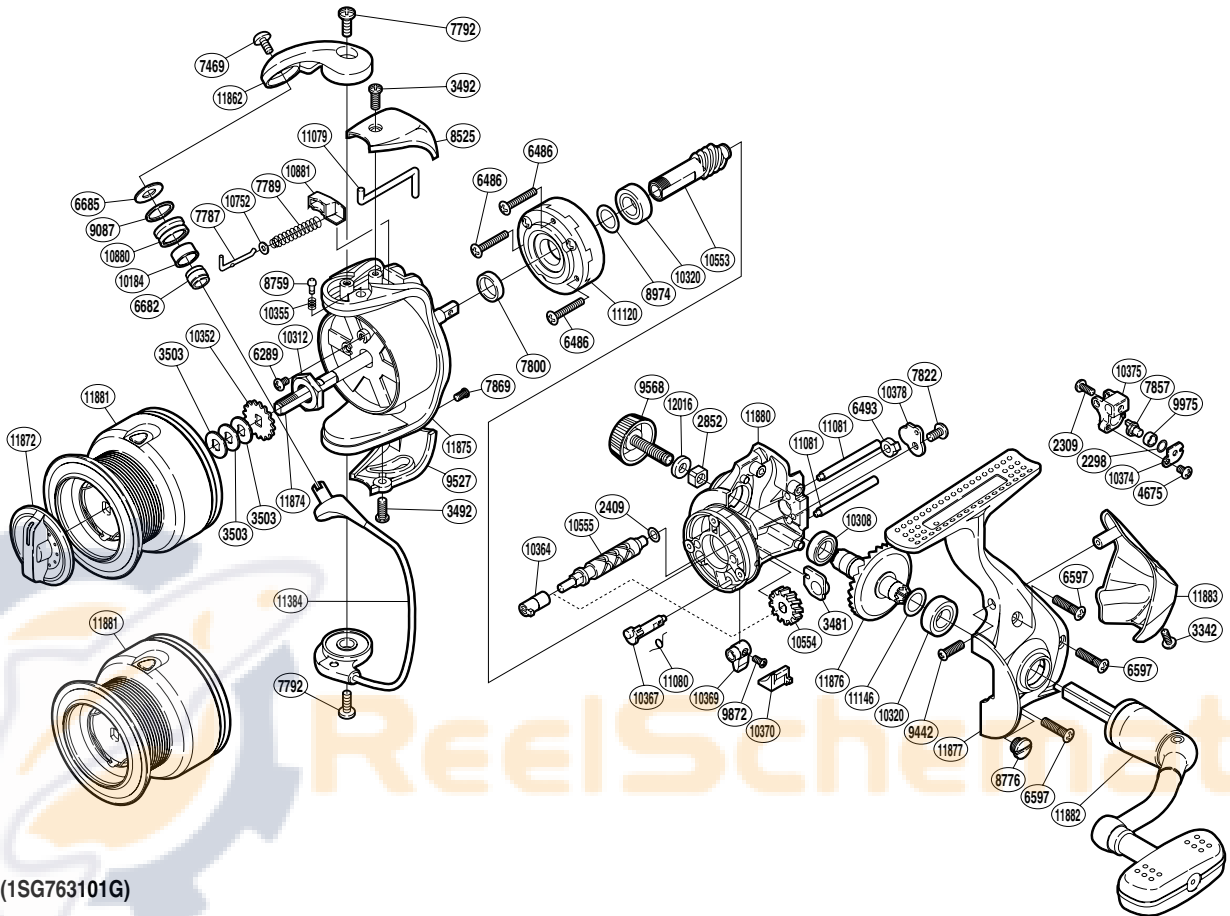


SHIMANO

TECHNIUM SA-RB

TEC-3000SFB



(1SG763101G)

Part No.	Description	Part No.	Description	Part No.	Description
RD 2298	Spacer	RD 8525	Bail Spring Cover	RD10553	Pinion Gear
RD 2309	Screw	RD 8759	Click Pin	RD10554	Idle Gear
RD 2409	Spacer	RD 8776	Oil Cap	RD10555	Worm Shaft
RD 2852	Handle Screw Lock	RD 8974	Washer	RD10752	Spring Guide A Support
RD 3342	Screw	RD 9087	Line Roller Spacer	RD10880	Line Roller
RD 3481	Bushing	RD 9442	Screw	RD10881	Bail Spring Seat
RD 3492	Screw	RD 9527	Bail Hold Support Guard	RD11079	Bail Trip Lever
RD 3503	Spool Washer	RD 9568	Handle Screw Cap	RD11080	Anti-Reverse Cam Spring
RD 4675	Screw	RD 9872	Screw	RD11081	Oscillating Guide
RD 6289	Screw	RD 9975	Oscillating Slider Bushing	RD11120	Roller Clutch Assembly
RD 6486	Screw	RD10184	Line Roller Bushing	RD11146	Washer
RD 6493	Worm Bushing (rear)	RD10308	Ball Bearing	RD11384	Bail Assembly
RD 6597	Screw	RD10312	Rotor Nut	RD11862	Bail Arm
RD 6682	Line Roller Collar	RD10320	Ball Bearing	RD11872	Drag Knob
RD 6685	Line Roller Washer	RD10352	Spool Support	RD11874	Main Shaft
RD 7469	Screw	RD10355	Click Spring	RD11875	Rotor
RD 7787	Bail Spring Guide A	RD10364	Worm Bushing (front)	RD11876	Drive Gear
RD 7789	Bail Spring	RD10367	Anti-Reverse Cam	RD11877	Side Cover
RD 7792	Screw	RD10369	Anti-Reverse Lever	RD11880	Body
RD 7800	Rotor Ring	RD10370	Anti-Reverse Lever Cover	RD11881	Spool Assembly
RD 7822	Screw	RD10374	Oscillating Pawl Cover	RD11882	Handle Assembly
RD 7857	Oscillating Pawl	RD10375	Oscillating Slider	RD11883	Rear Protector
RD 7869	Screw	RD10378	Worm Shaft Retainer	RD12016	Handle Lock Washer

(190731)